

PROJECT NAME: _____

LOCATION: _____

SPECIFIER ITEM NO. _____ **QTY:** _____

ENCORE PART NO. _____

Encore[®] Intelli-Flo[™] EZ-Electronic[™] Wash
Station with Thermostatic Mixing Valve
KE28-Bx31-Cx1 Series




Intelli-Flo

Stainless steel handsink with built-in hands free electronic faucet designed to minimize water consumption and reduce potential for cross contamination.

Commercial Quality Features

- Pre-assembled control housing reduces installation time
- 500,000 cycle battery life (250,000 hand washes)
- Low lead compliant stainless steel spout with vandal resistant aerator
- Energy-efficient “latching” (bi-stable) solenoid only uses power to open or close
- Auto-ranging feature automatically adjusts sensing range
- (2) 18” braided stainless steel supply lines included
- Thermostatic mixing valve with integral hot and cold check valves and cleanable filter
- DC models powered with (4) 1.5V AA batteries (included)

Hands-Free Operation

- Infrared sensor activated
- Self-adapting sensor distance adjustment
- 1 second shut-off delay
- 20 second adjustable automatic time-out feature (complies with FDA Food Code)
- Adjustable range of action

SPECIFICATIONS:

Stainless steel handsink with integral outlet faucet to be Encore KE28 Series* in the following configuration:

____ KE28-B031-CA1 ____ KE28-B031-CB1
____ KE28-B131-CA1 ____ KE28-B131-CB1

Stainless steel wall mount handsink to have Type 304 one piece welded construction. Sink bowl accepts 1-1/2” NPS stainless steel mini-basket drain (included). Handsink to be wall mounted by using a ‘Z’ clip wall bracket (provided) and shall have a recessed countertop to create a ‘no-drip’ edge or ‘marine’ edge. Handsink includes side splashes.

Faucet spout to be constructed of chrome plated brass with a total lead content of less than 0.25% by weighted average. Thermostatic mixing valve standard with integral cleanable filter. Sensor assembly to include 6V DC bi-stable solenoid powered by four (4) 1.5V AA batteries (included). AC models to include 9V 800 mA UL listed adapter, US plug. Valve components (battery compartment, sensor connector, and control module (PCB)) to be housed in sealed, non-metallic box for easy access and quick installation. Faucet to be furnished with (2) 3/8” braided stainless steel supply lines.

*Refer to model number configurator chart on reverse.

Approximate shipping weight - 10 lbs
Warranty - 3 years parts

COMPLIES WITH:
THE FEDERAL “REDUCTION OF LEAD
IN DRINKING WATER ACT” –
2011 – US SENATE BILL NO. S.3874
NSF/ANSI 61/9, ANNEX G

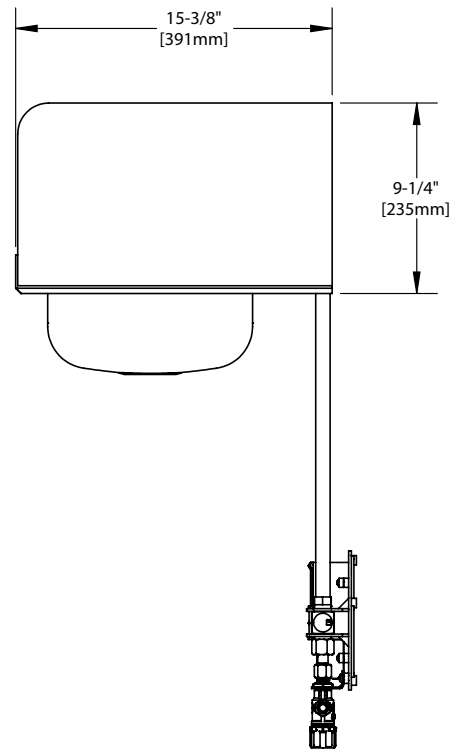
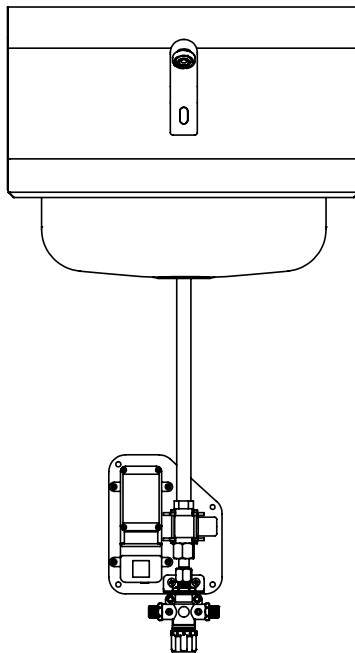
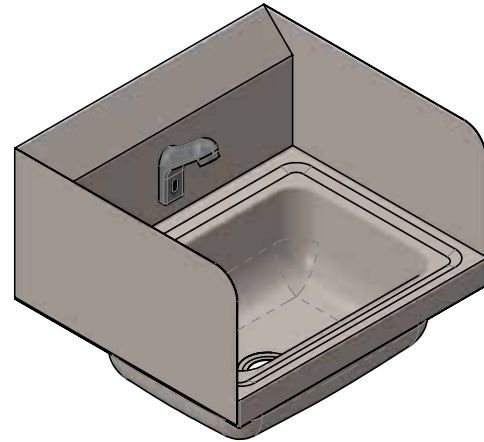
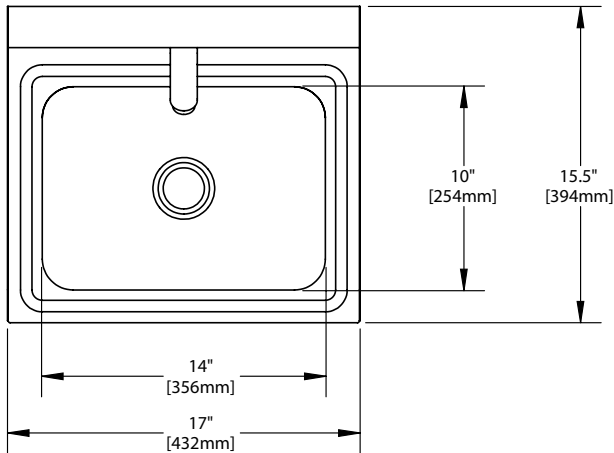


KE28-Bx31-Cx1 Series

Intelli-Flo EZ-Electronic Wash Station with Thermostatic Mixing Valve

PREMIUM PLUMBING PRODUCTS
Encore[®]

1890 Swarthmore Avenue, PO Box 2020, Lakewood, NJ 08701
Phone: 800-526-3694, 732-363-4700, Fax: 732-364-8110
www.encoreplumbing.com



Model No.	Description
KE28-B031-CA1	Battery Power, .5GPM PCA Spray, Vandal Resistant
KE28-B131-CA1	AC/DC* Power, .5GPM PCA Spray, Vandal Resistant
KE28-B031-CB1	Battery Power, 1.5GPM Laminar Flow, Antimicrobial and Vandal Resistant
KE28-B131-CB1	AC/DC* Power, 1.5GPM Laminar Flow, Antimicrobial and Vandal Resistant

Dimensions shown in inches (mm) are for reference only and are subject to change.

NOTE:

*Includes 9V 800 mA UL listed adapter, US plug.

(2) 18" braided stainless steel supply lines included
DC models powered with (4) 1.5V AA batteries (included)

3/8" Compression fitting
Operating Temperature: 68 - 120°F
Operating Pressure: 15 - 125psi